

**Part number:**

**49001-1801**

**Copyright**

© 2012, FLIR Systems, Inc.

All rights reserved worldwide. Names and marks appearing herein are either registered trademarks or trademarks of FLIR Systems and/or its subsidiaries. All other trademarks, trade names or company names referenced herein are used for identification only and are the property of their respective owners.

April 28, 2012, 02:33 AM

**Corporate Headquarters**

FLIR Systems, Inc.  
27700 SW Parkway Ave.  
Wilsonville, OR 97070  
USA  
Telephone: +1-503-498-3547

**Website**

<http://www.flir.com>

**Customer support**

<http://support.flir.com>

**Legal disclaimer**

Specifications subject to change without further notice. Camera models and accessories subject to regional market considerations. License procedures may apply.

Information and equipment described herein may require US Government authorization for export purposes. Diversion contrary to US law is prohibited.



**Imaging and optical data**

IR resolution	160 × 120 pixels
Thermal sensitivity/NETD	< 0.1°C @ +30°C (+86°F) / 100 mK
Field of view (FOV) / Minimum focus distance	25° × 19° / 0.4 m (1.31 ft.)
Spatial resolution (IFOV)	2.72 mrad
Image frequency	60 Hz
Focus	Manual
Focal Plane Array (FPA) / Spectral range	Uncooled microbolometer / 7.5–13 μm

**Image presentation**

Display	Touch screen, 3.5 in. LCD, 320 × 240 pixels
Image modes	IR image, visual image, thumbnail gallery

**Measurement**

Object temperature range	-20°C to +120°C (-4°F to +248°F) 0°C to +350°C (+32°F to +662°F)
Accuracy	±2°C (±3.6°F) or ±2% of reading, for ambient temperature 10°C to 35°C (+50°F to 95°F)

**Measurement analysis**

Spotmeter	1
Area	Box with max./min./average
Automatic hot/cold detection	Auto hot or cold spotmeter markers within area
Isotherm	Detect high/low temperature/interval
Emissivity correction	Variable from 0.01 to 1.0 or selected from materials list
External optics/windows correction	Automatic, based on inputs of optics/window transmission and temperature
Measurement corrections	Reflected temperature, optics transmission and atmospheric transmission

**Set-up**

Color palettes	Arctic, Gray, Iron, Lava, Rainbow and Rainbow HC
Set-up commands	Local adaptation of units, language, date and time formats
Languages	21

**Storage of images**

Image storage	Standard JPEG, including measurement data, on memory card
Image storage mode	IR/visual images; simultaneous storage of IR and visual images

P/N: 49001-1801

© 2012, FLIR Systems, Inc.  
All rights reserved worldwide.

## Image annotations

Report generation	<ul style="list-style-type: none"> <li>Separate PC software with extensive report generation</li> </ul>
-------------------	---

## Digital camera

Built-in digital camera	2 Mpixel (1664 × 1248 pixels) with LED light
Built-in digital lens data	FOV 53° × 41°

## Laser pointer

Laser	Activated by dedicated button
-------	-------------------------------

## Data communication interfaces

Interfaces	USB-mini, USB-A, composite video
USB	<ul style="list-style-type: none"> <li>USB-A: Connect external USB device</li> <li>USB Mini-B: Data transfer to and from PC</li> </ul>
Video out	Composite

## Power system

Battery	Li Ion, 4 hours operating time
Charging system	In camera (AC adapter or 12 V from a vehicle) or 2-bay charger
Charging temperature	0°C to +45°C (+32°F to +113°F)
Power management	Automatic shutdown and sleep mode (user selectable)

## Environmental data

Operating temperature range	-15°C to +50°C (+5°F to +122°F)
Storage temperature range	-40°C to +70°C (-40°F to +158°F)
Humidity (operating and storage)	IEC 60068-2-30/24 h 95% relative humidity +25°C to +40°C (+77°F to +104°F) / 2 cycles
EMC	<ul style="list-style-type: none"> <li>EN 61000-6-2 (Immunity)</li> <li>EN 61000-6-3 (Emission)</li> <li>FCC 47 CFR Part 15 B (Emission)</li> </ul>
Encapsulation	IP 54 (IEC 60529)
Bump	25 g (IEC 60068-2-29)
Vibration	2 g (IEC 60068-2-6)
Drop	2 m (6.6 ft.)
Safety	EN/UL/CSA/PSE 60950-1

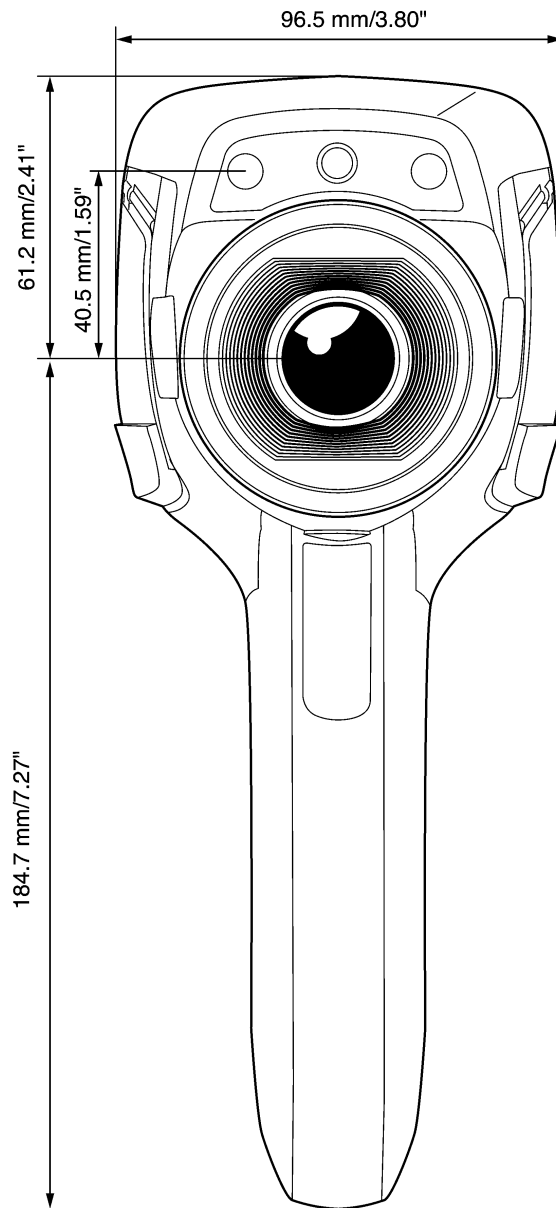
## Physical data

Camera weight, incl. battery	0.825 kg (1.82 lb.)
Camera size (L × W × H)	246 × 97 × 184 mm (9.7 × 3.8 × 7.2 in.)
Tripod mounting	UNC ¼"-20 (adapter needed)

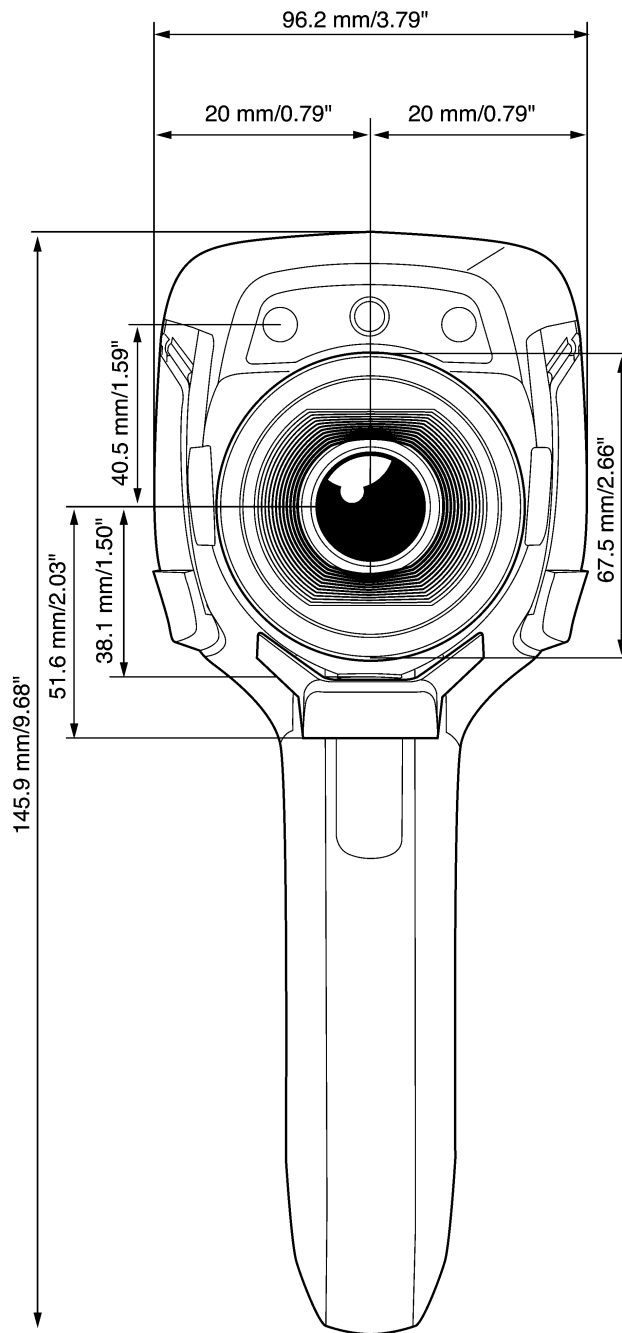
## Shipping information

- Hard transport case
- Infrared camera with lens
- Battery
- Calibration certificate
- Camera lens cap
- Downloads brochure
- FLIR Tools software CD-ROM
- Handstrap
- Memory card
- Power supply, incl. multi-plugs
- Printed Getting Started Guide
- Printed Important Information Guide
- Service & training brochure
- USB cable
- User documentation CD-ROM
- Video cable
- Warranty extension card

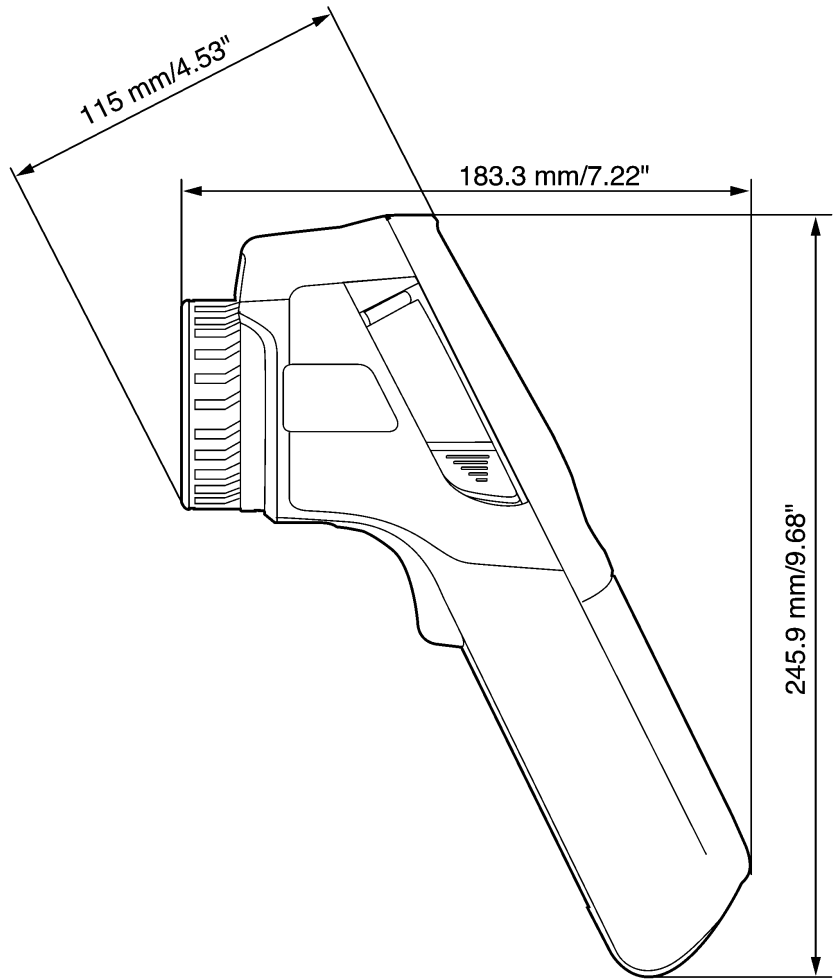
© 2011, FLIR Systems, Inc.  
All rights reserved worldwide.



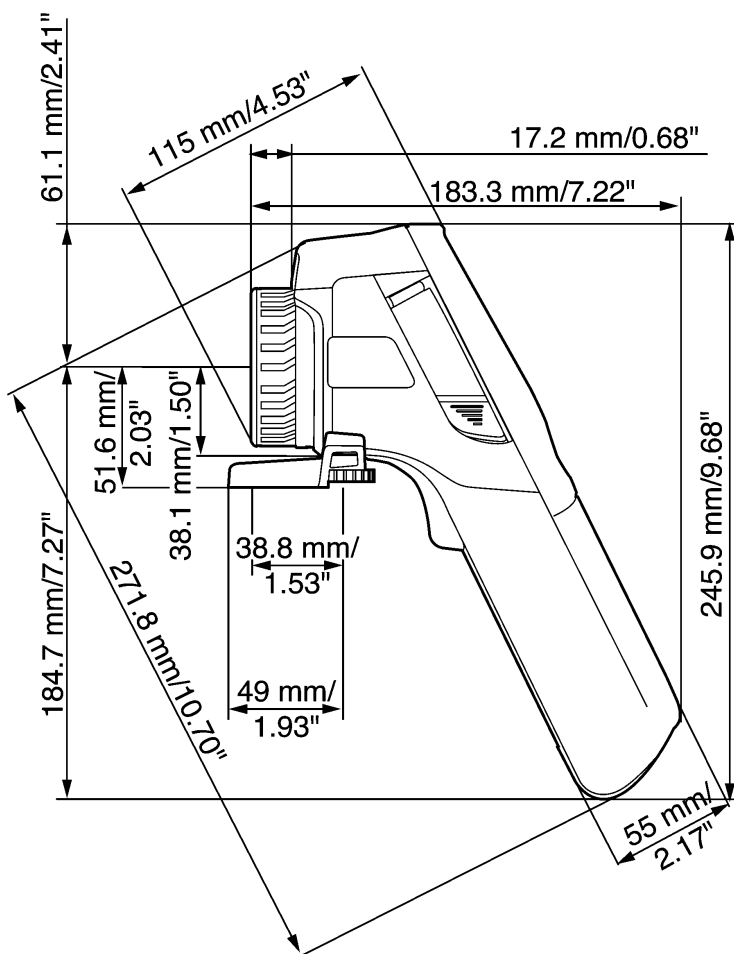
© 2011, FLIR Systems, Inc.  
All rights reserved worldwide.



© 2011, FLIR Systems, Inc.  
All rights reserved worldwide.



© 2011, FLIR Systems, Inc.  
All rights reserved worldwide.



© 2011, FLIR Systems, Inc.  
All rights reserved worldwide.

